



VEHICLE DETAILS

Chassis number ¹: PG6SA-100484

Manufacture date: 1992-09-28

Make: MAZDA

Model: AUTOZAM AZ-1

Body: E-PG6SA

Grade: M2-1015

Engine: F6A

Drive: MIDSHIP

Transmission: F5

Title information ²:



Deregistered to Export



Accident / Repair:



No problem



Odometer rollback:



No problem



Manufacturer recall:



No problem



Safety grade ³:



No data



Contamination risk:



No problem



This vehicle does not qualify for Buyback Guarantee



Unfortunately, this vehicle does not qualify for our Buyback Guarantee program.

[About Buyback Guarantee](#)

Average Market Price



¥2,200,000

This CAR VX Vehicle History Report is based only on Information supplied to CAR VX, LTD and available as of 2024-02-02 05:03:09. Other information about this vehicle, including problems, may not have been reported to CAR VX, LTD . Use this report as one important tool, along with a vehicle inspection and test drive, to make a better decision about your next used car.

ACCIDENT / REPAIR HISTORY

Problem type	Reported	Date reported	Data source	Details	Airbag
Collision	✔ Not reported				
Malfunction	✔ Not reported				
Theft	✔ Not reported				
Fire damage	✔ Not reported				
Water damage	✔ Not reported				
Hail damage	✔ Not reported				

ODOMETER READINGS HISTORY

Date reported	Data source	Odometer reading (Km)
2014-05-20	MLIT	54200
2016-05-12	Hanaten Osaka	55169
2016-12-21	JAA HAA	55200
2017-03-30	MLIT	55200
2022-02-23	JAA HAA	57100
2023-02-20	JU Kyouyuu	57100

USE HISTORY


Use in the contaminated regions ⁴	Radioactive contamination test fail ⁵	Commercial use
✔ Not reported	✔ Not reported	✔ Not reported

DETAILED HISTORY

Event date	Location	Odometer reading (Km)	Data source	Details
1992-09-28			MAZDA	Manufactured
1993-05			MLIT	First registration

2014-05-20		54200	MLIT	Inspection
2016-05-12	Osaka	55169	Hanaten Osaka	Auctioned
2016-12-21		55200	JAA HAA	Auctioned
2017-03-30	Kitakyushu	55200	MLIT	Inspection
2022-02-23		57100	JAA HAA	Auctioned
2022-04-27	Kitakyushu		MLIT	Last registration
2023-02-20		57100	JU Kyouyuu	Auctioned

MANUFACTURER RECALL HISTORY

Date reported	Data source	Affected part	Details
 Not reported			

VEHICLE ASSESSMENT ⁶

Overall Collision Safety Ratings

Driver's seat			Front passenger's seat		
Points	Evaluation	Goal average	Points	Evaluation	Goal average
0		0%	0		0%

* In order to accurately differentiate between the evaluations of different vehicles, a standard is set based on current technology. Up to 6 points out of 12 is given level 1 and the rest of the range is divided up into equal parts, which are respectively assigned to level 2 (more than 6 points but 7.5 or less), level 3 (more than 7.5 points but 9 or less), level 4 (more than 9 points but 10.5 or less) or level 5 (more than 10.5 points).

Braking performance tests ⁷

Dry road



Wet road



VEHICLE SPECIFICATION

1st gear ratio		2nd gear ratio	
3rd gear ratio		4th gear ratio	
5th gear ratio		6th gear ratio	
Additional notes		Airbag position, capacity	
Body rear overhang		Body type	LIGHT CAR
Chassis number embossing position		Classification code	1
Cylinders	3	Displacement	650
Electric engine type		Electric engine maximum output	
Electric engine maximum torque		Electric engine power	
Engine maximum power	64PS(47KW)/6500RPM	Engine maximum torque	87KG*M(853NM)/4000RPM
Engine model	F6A	Frame type	
Front shaft weight	300	Front shock absorber type	STRUT
Front stabilizer type		Front tires size	155/65R13 73H
Front tread	1200	Fuel consumption	
Fuel tank equipment	30	Grade	M2-1015
Height	115	Length	329
Main brakes type		Make	MAZDA
Maximum speed		Minimum ground clearance	
Minimum turning radius	4700	Model	AUTOZAM AZ-1
Model code	E-PG6SA	Mufflers number	
Rear shaft weight	420	Rear shock absorber type	STRUT
Rear stabilizer type		Rear tires size	155/65R13 73H
Rear tread	1195	Reverse ratio	
Riding capacity	2	Side brakes type	

Specification code	7155	Stopping distance	
Transmission type	F5	Weight	720
Wheel alignment	MIDSHIP	Wheelbase	2235
Width	139		

AUCTION DATA

Date: 2016-05-12, Auction: Hanaten Osaka, Lot #: 3316

Date:	2016-05-12	Lot #:	3316
Auction name:	Hanaten Osaka	Region:	Osaka
Make:	MAZDA	Model:	AUTOZAM AZ-1
Reg. year:	1993	Mileage (km):	55169
Displacement (cc):	660	Transmission:	F5
Color:	RED	Model code:	PG6SA
Result:	sold	Auction grade:	4
Problem type:	No problem	Problem scale:	None
Contaminated:	No	Airbag:	OK

Date: 2016-12-21, Auction: JAA HAA, Lot #: 20575042

Date:	2016-12-21	Lot #:	20575042
Auction name:	JAA HAA	Region:	
Make:	MAZDA	Model:	AUTOZAM AZ-1
Reg. year:	1993	Mileage (km):	55200
Displacement (cc):	660	Transmission:	F5MT
Color:	RED	Model code:	PG6SA
Result:	unknown	Auction grade:	4
Problem type:	No problem	Problem scale:	None
Contaminated:	No	Airbag:	OK

Date: 2022-02-23, Auction: JAA HAA, Lot #: 79575

Date:	2022-02-23	Lot #:	79575
-------	------------	--------	-------

Auction name:	JAA HAA	Region:	
Make:	MAZDA	Model:	AUTOZAM AZ-1
Reg. year:	1993	Mileage (km):	57100
Displacement (cc):	660	Transmission:	F5MT
Color:	WHITE	Model code:	PG6SA
Result:	available	Auction grade:	4.5
Problem type:	No problem	Problem scale:	None
Contaminated:	No	Airbag:	OK

Date: 2023-02-20, Auction: JU Kyoyuu, Lot #: 99

Date:	2023-02-20	Lot #:	99
Auction name:	JU Kyoyuu	Region:	
Make:	MAZDA	Model:	AUTOZAM AZ-1
Reg. year:	1993	Mileage (km):	57100
Displacement (cc):	660	Transmission:	F5
Color:	WHITE	Model code:	PG6SA
Result:	available	Auction grade:	4
Problem type:	No problem	Problem scale:	None
Contaminated:	No	Airbag:	OK

PHOTOS AND AUCTION SHEETS

出品番号 3316	初年度登録年月 5月	車名 AZ-1	ドア形状 2CP	グレード 1-2IL	2WD	4WD	評価点 4
車歴	型式 E-PG6SA	排気量 660cc	燃料 ① 軽油・()				

車検 年 月	AT
走行 配号 十 万 千 百 十 一 55,169 キロ	⑤ 速 MT車のみ記入

セールスポイント 社外マニ、ターボ 社外マフ 社外スリッパ ガレウレック Rステ	内装 A B C D
---	------------------------

外装色 元色 色替 アカ →	冷房 AC
----------------------	----------

カラーNO	内装色 アカ/グレー	保証書取脱 有 有
-------	---------------	--------------

純正品のみ印	PS	PW	AW	SR	ABS
○	系	エアバック	ナビ	TV	チューナー

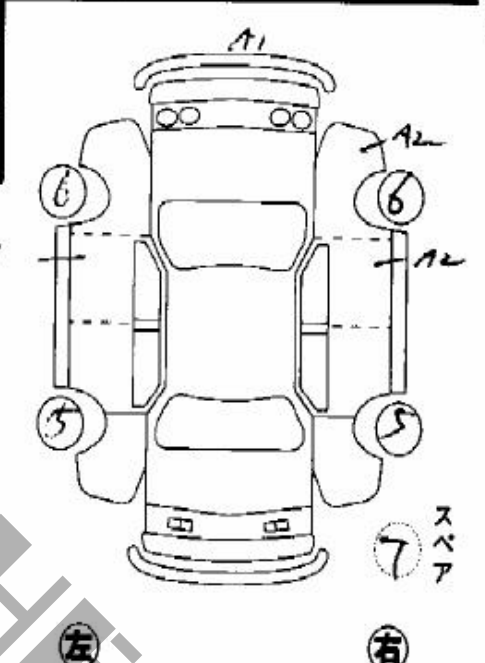
輸入車 ディーラー・兼行	ハンドル位置 右・左	モデル年式 年
-----------------	---------------	------------

車検証欄 全長	書類期限 月 日
------------	-------------

預託済リサイクル料金 6340 円	乗車定員 2人
----------------------	------------

全幅	cm
全高	cm

◎注意事項	積載量 t
-------	-------



ナビ取脱	ナビロム	SDカード	B-CAS	リモコン	プレート	キー類	スマートキー
------	------	-------	-------	------	------	-----	--------

ハンドル A・スレ	シート A・スレ	オーディオ 無し・穴	ホイール(C/P) A・ワレ	エアロ A・ワレ	ドアミラー A・ワレ
--------------	-------------	---------------	-------------------	-------------	---------------

検査員 記入	FW	A・X要ス	シート	コゲ・穴・汚れ	破れ
-----------	----	-------	-----	---------	----

小キズ 小凹 キコーナ

アキツマ

希望出品ブロックに○印

車体NO PG6SA-100484

色替車は記入しない
不具合箇所・後日送り品等を記入(ナビロム・プレート等)

社外品含む





KING WHEELS



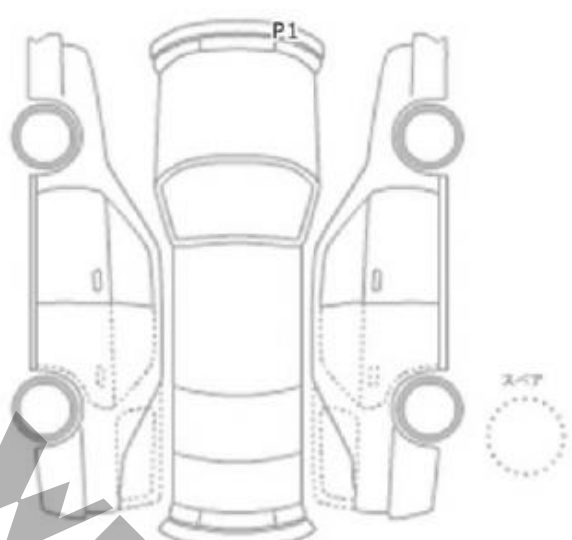








THE KING WHEELS

初年度登録 H5 / 一月		メーカー マツダ		ドア枚数 2		ボディ形状 クーペ		評価点 4.5																					
車名 オートザムAZ-1		グレード ベースグレード (M2-1015仕様)				駆動区分 2WD 4WD																							
車歴 自家用・その他 ()		排気量 660 cc		型式 E-PG6SA		通称型式		内装 A・B・C																					
車検 - - 年 / 月 / 日		燃料 ガソリン ハイブリッド ()		ディーゼル		後日送り品 (保証書・取扱説明書等)																							
走行 口内にマークを記入(※:交換 ※:改ざん ※:不明)		シフト フロア 5 MT																											
外装色 シロ		カラーNo. ()		エアコン A・AAG・WAG・()		装備品のみ O印 を記入																							
()		内装色		乗車定員 2人		PS		PW		AW		サンルーフ		革シート															
ハンドル 左・右		輸入区分 ディーラー・並行		リサイクル料 6,340円・預託無		エアバック		ABS		ナビ		TV		キーレス															
セールスポイント RAYSレーシング14インチアルミ 社外マフラー 社外ハンドル M2-1015仕様																													
修復歴 有・無																													
検査記入欄 シート色アセ小スレ					<table border="1"> <tr> <td>A</td><td>キズ</td><td>U</td><td>ヘコミ・オサレ</td><td>B</td><td>キズ・ヘコミ</td><td>P</td><td>色あせ・ボケ</td><td>G</td><td>ガラスキズ</td> </tr> <tr> <td>W</td><td>補修跡</td><td>S</td><td>サビ</td><td>C</td><td>腐食</td><td>X</td><td>交換要</td><td>XX</td><td>交換済</td> </tr> </table>					A	キズ	U	ヘコミ・オサレ	B	キズ・ヘコミ	P	色あせ・ボケ	G	ガラスキズ	W	補修跡	S	サビ	C	腐食	X	交換要	XX	交換済
A	キズ	U	ヘコミ・オサレ	B	キズ・ヘコミ	P	色あせ・ボケ	G	ガラスキズ																				
W	補修跡	S	サビ	C	腐食	X	交換要	XX	交換済																				
					登録No. 名変中 月 日 までに名変できる方																								
					車体番号 PG6SA-100484																								
FW トピ石 傷A フレ 外装 小 A・U ホイル A・曲 エアロ A・フレ					シリアル No.																								
内装 ヨゴレ シミ ヤブレ コゲ コゲ穴 オーディオ穴 スレ					車輪 長さ 329 cm 幅 139 cm 高さ 115 cm 最大積載量 Kg																								



管理番号 (T1) 202202 08781	初度登録年月 平成5 1月	車名・グレード AZ-1 ベースグレード (M2-1015仕様)	2WD ・ 4WD	評価点 (4)
ディーラー・並行 モデル年式 ハンドル 左・右	型式 E-PG6SA	排気量 660 CC	ドア 2 形状	定員 2人 積載 kg
				外装 A
				内装 B

車歴 自家用

車検 年 月 (日)

走行 5万7千100 km

色 ホワイト (色替) 色コード Fマイ

シフト F5

冷房 AC

燃料 ガソリン

セールスポイント (正常に機能するものに限ります)

RAYSレーシング14インチアルミ☆社外マフラー

社外ハンドル☆M2-1015仕様

R券 6,340 円

装備品 (純正品に限り○をつけてください)

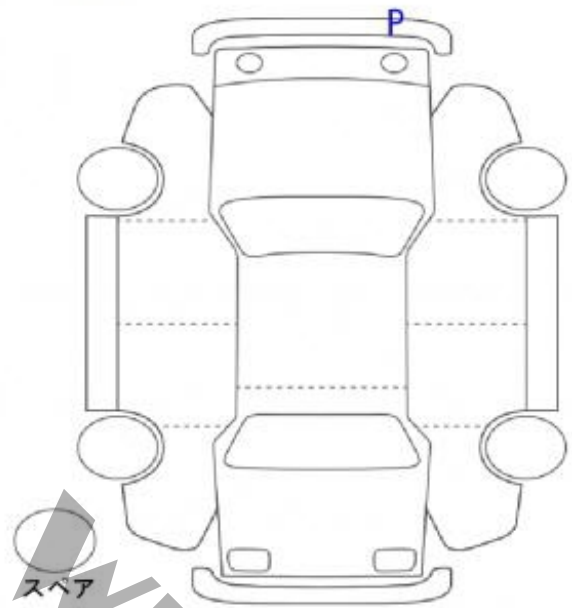
PS	PW	ABS	エアB	AW
SR	ナビ	TV	カワ	

注意事項申告欄

シート色アセ小スレ

新車保証書 後日品

有・無



フロントガラス キズ・飛石・ヒビ割・リペア跡・X要

内装 キズ・汚れ・コゲ・穴・スレ・キレ・破レ

車台番号 100484

登録番号

A-キズ E-エクボ U-凹み W-補修跡 S-サビ C-腐食 XX-交換済

型式指定番号 参考	07155	類別区分番号 参考	0001
車庫証明用 参考	長さ 329 cm	幅 139 cm	高さ 115 cm



¹ Chassis number – a unique identification number of the vehicle in Japan (same as VIN in the USA or Europe)

² Title information:

Registered – qualified for driving in Japan

Deregistered Temporarily – not qualified for driving in Japan, usually a temporary title during the ownership change

Deregistered Completely – not qualified for driving in Japan, the vehicle is determined to be scrapped

Deregistered to Export – not qualified for driving in Japan, the vehicle is determined to be exported

³ Determining the overall collision safety performance evaluation – For the driver's seat, the results of the full-wrap frontal collision test, offset frontal collision test, and side collision test are added together and evaluated to 6 different levels. For the Frontal passenger's seat, the results of the full-wrap frontal collision test and the side collision test (results for the driver's or the front passenger's seat are used) are added together and evaluated to 6 different levels.

Regular vehicle inspection – All vehicles in Japan must undergo regular vehicle inspections (shaken). New cars need to be tested after three years, and then vehicles must be tested every two years thereafter. A vehicle inspection (shaken) is compulsory for all vehicles with an engine size over 250cc. It ensures that all vehicles on the road are properly maintained and safe to drive. The test also checks that vehicles have not been illegally modified; if they are found to have been modified, they are not allowed on the road.

⁴ Use in the contaminated regions – The Fukushima Daiichi nuclear disaster was a catastrophic failure at the Fukushima I Nuclear Power Plant on 11 March 2011, resulting in a meltdown of three of the plant's six nuclear reactors. As a result, some areas in the following prefectures were contaminated: Fukushima, Miyagi, Ibaraki, Tochigi.

⁵ Radioactive contamination test – radioactive contamination inspection that was started in July 2011 as a preventive measure for exporting contaminated vehicles from Japan. The inspection is being conducted since in all sea ports of Japan under the supervision of The Japan Harbor Transportation Association (JHTA).

MLIT – Ministry of Land, Infrastructure, Transport and Tourism.

⁶ Japan New Car Assessment Program – the Ministry of Land, Infrastructure, Transport and Tourism (MLIT) and the National Agency for Automotive Safety & Victims' Aid (NASVA) have taken measures for safety, one of which is to assess commercially available vehicles through a variety of safety performance tests and release the resulting information compiled into the "New Car Assessment Program". The objective of Japan New Car Assessment Program is to increase the use of safe automobiles by providing an environment in which users can easily select such vehicles. This also promotes the development of safer vehicles by automobile manufacturers. Neck injury protection for rear-end collision performance test, rear seat passenger's protection for frontal collision performance test, rear passenger's seat belt usability evaluation test and seat belt reminder for passengers evaluation test are started in FY2009.

⁷ Braking Performance Tests – Braking performance is determined by the shortness of the distance in which a vehicle can stop and the stability of the vehicle at the time of braking. This test is performed under wet and dry road conditions for a vehicle which has both a driver and a front passenger. The distance it takes for the vehicle to stop and the stability of the vehicle at the time of braking is evaluated for when the vehicle is stopped abruptly while traveling at a speed of 100km/h. The stopping distance and vehicle speed have been measured by using GPS since FY2009.

CAR VX, LTD DEPENDS ON ITS SOURCES FOR THE ACCURACY AND RELIABILITY OF ITS INFORMATION. THEREFORE, NO RESPONSIBILITY IS ASSUMED BY CAR VX, LTD OR ITS AGENTS FOR ERRORS OR OMISSIONS IN THIS REPORT. CAR VX, LTD FURTHER EXPRESSLY DISCLAIMS ALL WARRANTIES, EXPRESS OR IMPLIED, INCLUDING ANY IMPLIED WARRANTIES OF MERCHANTABILITY OR FITNESS FOR A PARTICULAR PURPOSE.

© 2014-2024 Car VX Limited. All rights reserved.

ANYTHING WHEELS