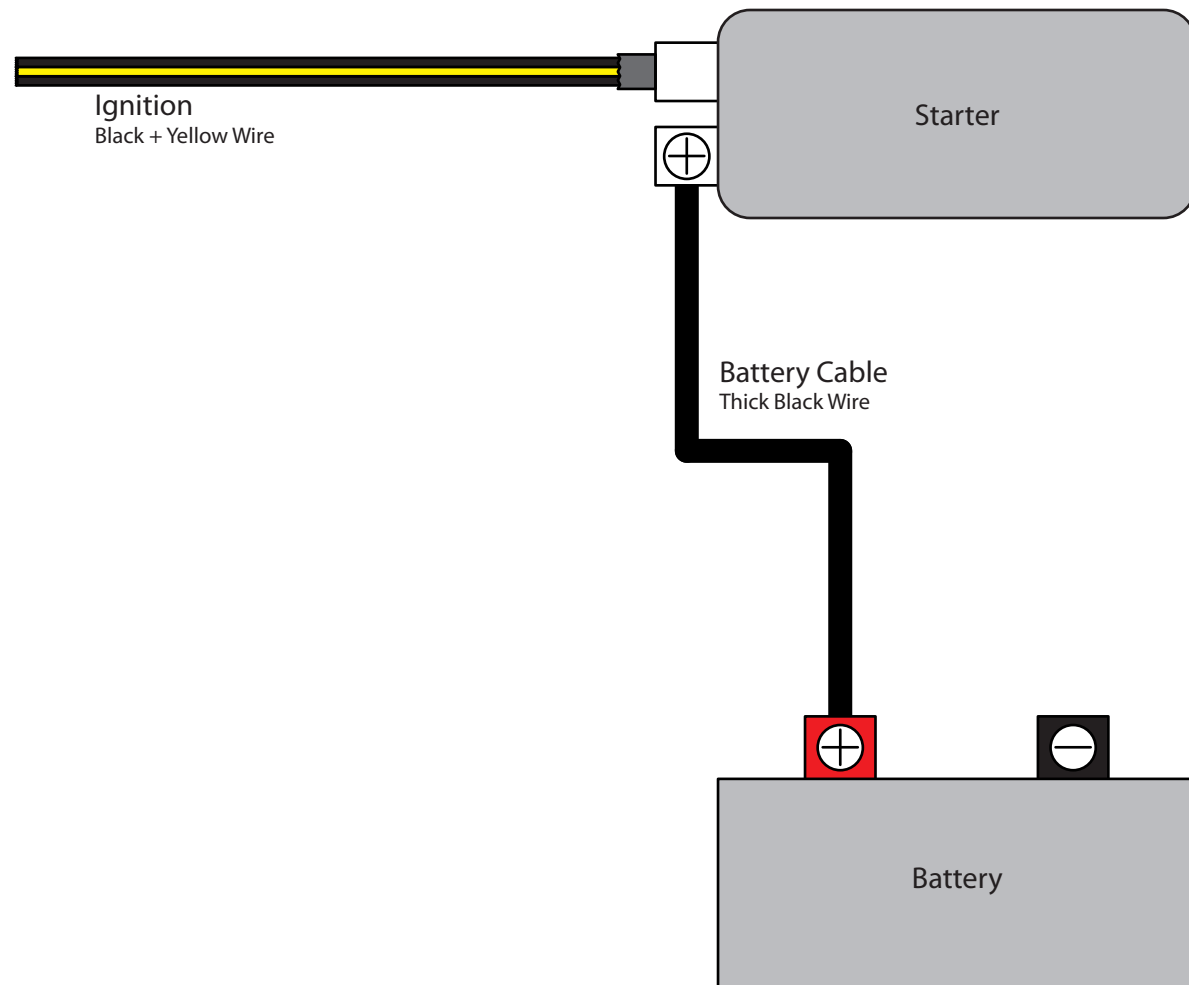
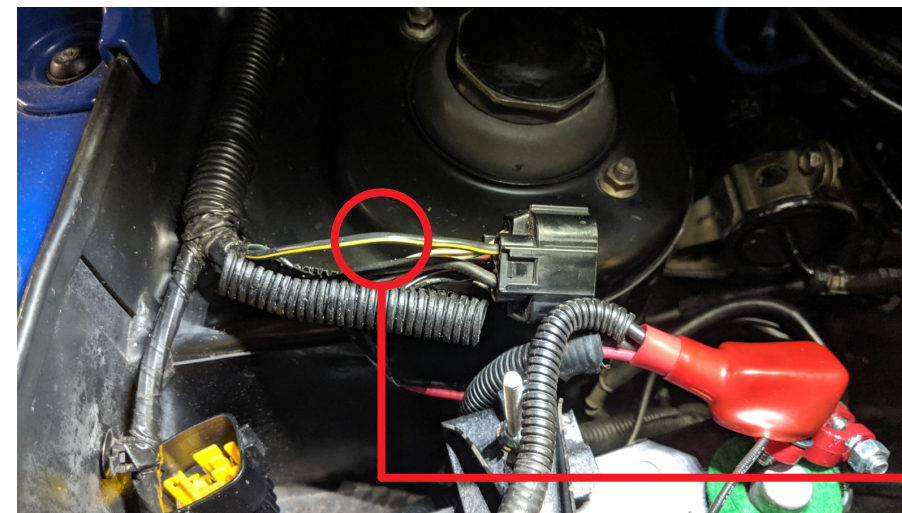
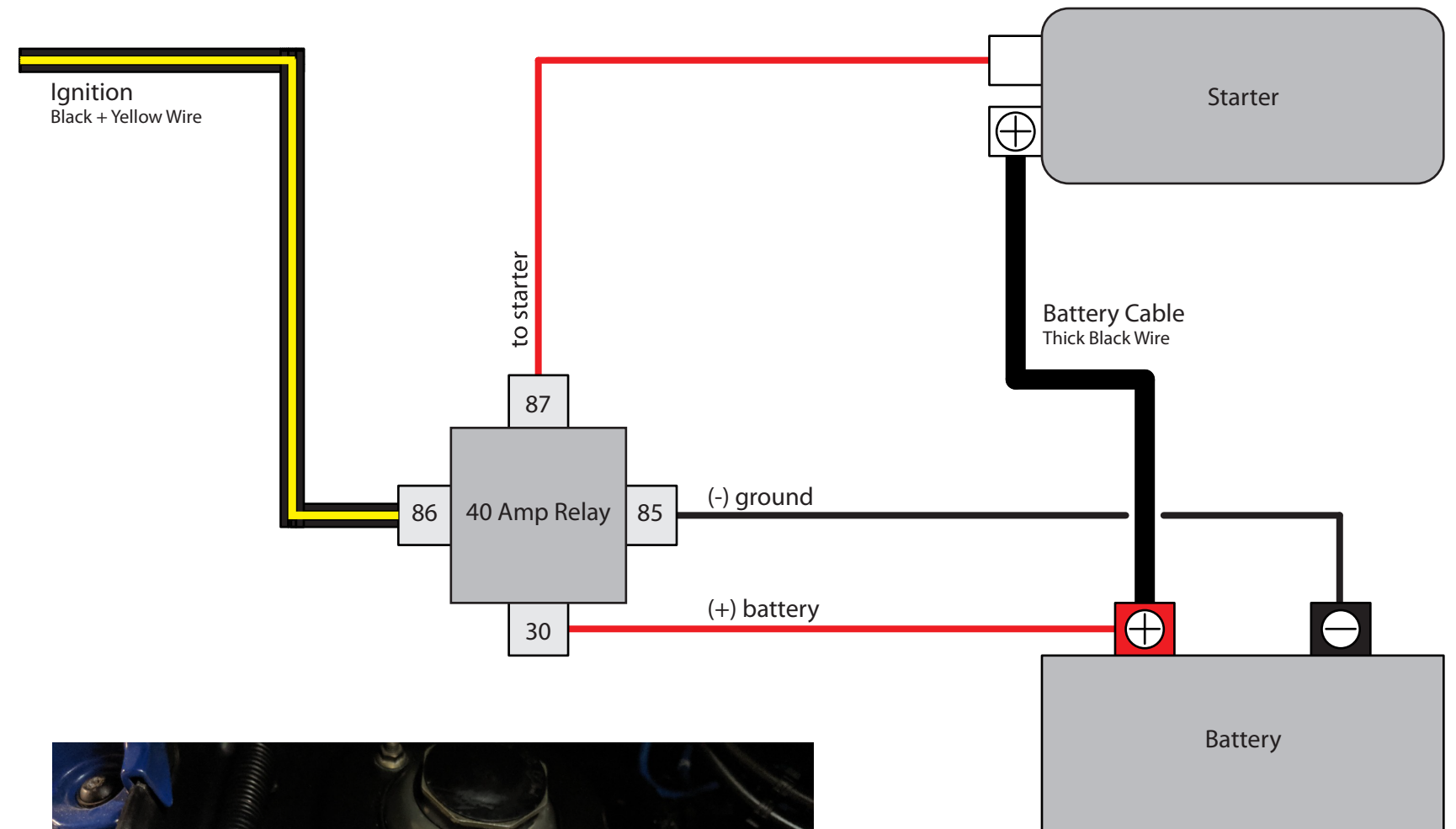


FACTORY WIRING



MODIFIED WIRING

uses (weakened) factory ignition wire to trigger a relay switch to directly crank the starter



Ignition Wire in factory wiring loom near the battery